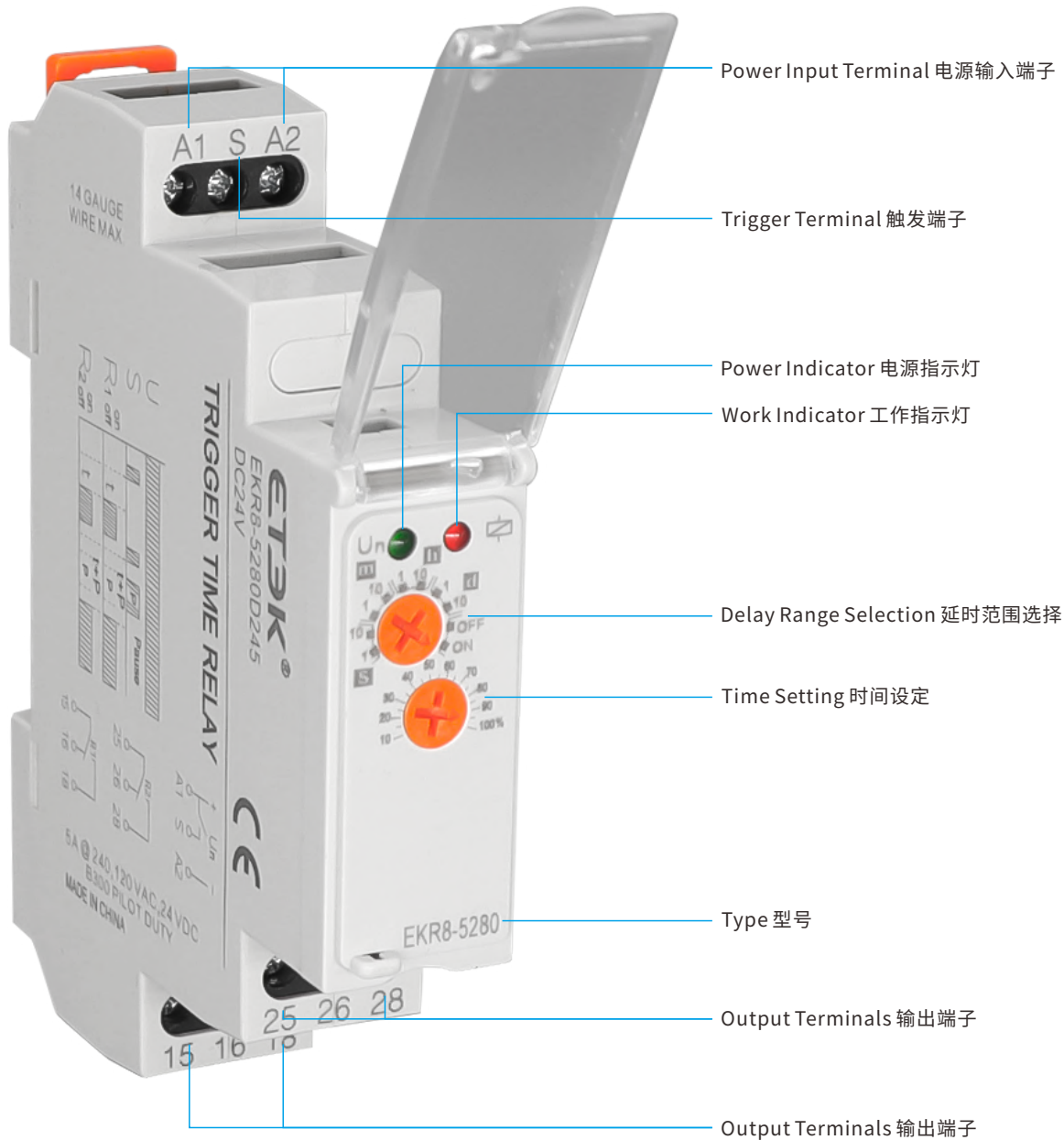


EKR8-5 Series Trigger Time Relay

触发时间继电器

Front view: function selector and regulators
前视图：功能选择器和调节器



触发时间继电器

Trigger Time Relay

触发时间继电器

Time relay is an automatic control unit, that can be combined with various other electrical equipment to achieve automatic control of the operating circuit. After a preset time expires, the contact output will be closed or opened, which will enable the terminal electrical equipment to automatically run or stop.

时间继电器是一种自动化控制单元,可以结合其他各种电器设备,实现自动控制运行线路,在一个预设定的时间结束后,闭合或者断开触点输出,使终端电器实现自动运行或者停止。

This series of time relay has the advantages of wide operating voltage range, clear working instructions, small volume, uniform size, easy installation, etc.

本系列时间继电器具有工作电压范围广,工作指示清晰,体积小,尺寸统一,便于安装等优点。

Application 应用领域:
 Industrial machinery 工业机械
 Illumination 照明
 Manufacturing 制造业
 HVAC system 暖通空调系统
 Food and agriculture 食品和农业

EKR8-5 Series



Technical Data 技术数据

EKR8-5150

EKR8-5151

Output Characteristics 输出特性

Single-period SPDT Output 单时段一组输出

Rated Current 额定电流

5A/16A

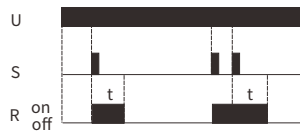
Working Voltage 工作电压

Single Voltage 单电压: AC12V, AC24V, AC110V, AC220V, DC12V, DC24V
 Wide Voltage 宽电压: AC/DC12-240V

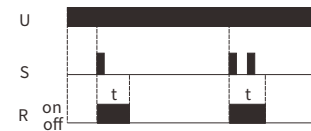
Time Range 时间范围

1S, 3S, 6S, 10S, 30S, 60S, 3M, 6M, 10M, 30M, 60M, 3H, 6H, 10H, 30H
 Customized according to clients' requirements 可根据客户要求定制

Functions 功能

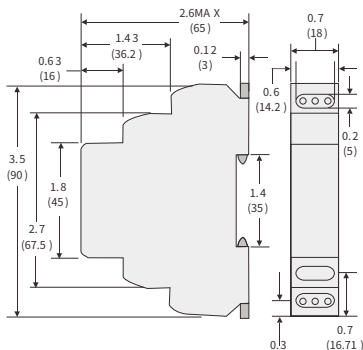


SPDT

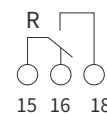
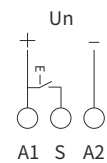


SPDT

Dimensions 外形尺寸图: in 英寸 (mm 毫米)



Wiring Diagrams 接线图



EKR8-5150
 EKR8-5151

触发时间继电器

Trigger Time Relay

触发时间继电器

Time relay is an automatic control unit, that can be combined with various other electrical equipment to achieve automatic control of the operating circuit. After a preset time expires, the contact output will be closed or opened, which will enable the terminal electrical equipment to automatically run or stop.

时间继电器是一种自动化控制单元,可以结合其他各种电器设备,实现自动控制运行线路,在一个预设定的时间结束后,闭合或者断开触点输出,使终端电器实现自动运行或者停止。

This series of time relay has the advantages of wide operating voltage range, clear working instructions, small volume, uniform size, easy installation, etc.

本系列时间继电器具有工作电压范围广,工作指示清晰,体积小,尺寸统一,便于安装等优点。

Application 应用领域:
 Industrial machinery 工业机械
 Illumination 照明
 Manufacturing 制造业
 HVAC system 暖通空调系统
 Food and agriculture 食品和农业

EKR8-5 Series



Technical Data 技术数据

EKR8-5160

EKR8-5161

Output Characteristics 输出特性

Single-period DPDT Output 单时段两组输出

Rated Current 额定电流

5A/16A

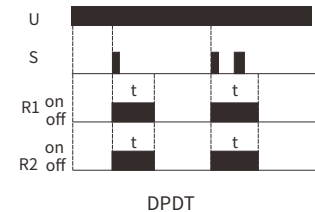
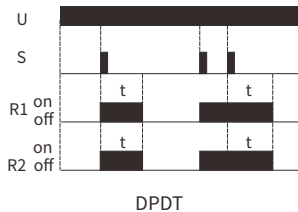
Working Voltage 工作电压

Single Voltage 单电压: AC12V, AC24V, AC110V, AC220V, DC12V, DC24V
 Wide Voltage 宽电压: AC/DC12-240V

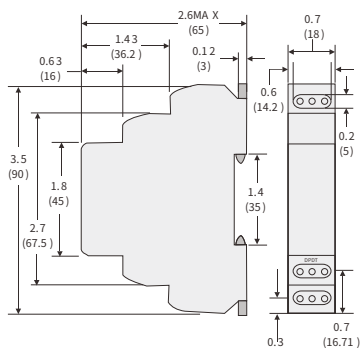
Time Range 时间范围

1S, 3S, 6S, 10S, 30S, 60S, 3M, 6M, 10M, 30M, 60M, 3H, 6H, 10H, 30H
 Customized according to clients' requirements 可根据客户要求定制

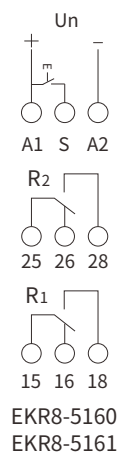
Functions 功能



Dimensions 外形尺寸图: in 英寸 (mm 毫米)



Wiring Diagrams 接线图



触发时间继电器

Trigger Time Relay

触发时间继电器

Time relay is an automatic control unit, that can be combined with various other electrical equipment to achieve automatic control of the operating circuit. After a preset time expires, the contact output will be closed or opened, which will enable the terminal electrical equipment to automatically run or stop.

时间继电器是一种自动化控制单元,可以结合其他各种电器设备,实现自动控制运行线路,在一个预设定的时间结束后,闭合或者断开触点输出,使终端电器实现自动运行或者停止。

This series of time relay has the advantages of wide operating voltage range, clear working instructions, small volume, uniform size, easy installation, etc.

本系列时间继电器具有工作电压范围广,工作指示清晰,体积小,尺寸统一,便于安装等优点。

Application 应用领域:
 Industrial machinery 工业机械
 Illumination 照明
 Manufacturing 制造业
 HVAC system 暖通空调系统
 Food and agriculture 食品和农业

EKR8-5 Series



Technical Data 技术数据	EKR8-5250	EKR8-5251
Output Characteristics 输出特性	Multi-period SPDT Output 多时段一组输出	
Rated Current 额定电流	5A/16A	
Working Voltage 工作电压	Single Voltage 单电压: AC12V, AC24V, AC110V, AC220V, DC12V, DC24V Wide Voltage 宽电压: AC/DC12-240V	
Time Range 时间范围	0.1S~10D (0.1秒~10天)	
Functions 功能		
Dimensions 外形尺寸图: in 英寸 (mm 毫米)		
	<p>EKR8-5250 EKR8-5251</p>	

触发时间继电器

Trigger Time Relay

触发时间继电器

Time relay is an automatic control unit, that can be combined with various other electrical equipment to achieve automatic control of the operating circuit. After a preset time expires, the contact output will be closed or opened, which will enable the terminal electrical equipment to automatically run or stop.

时间继电器是一种自动化控制单元,可以结合其他各种电器设备,实现自动控制运行线路,在一个预设定的时间结束后,闭合或者断开触点输出,使终端电器实现自动运行或者停止。

This series of time relay has the advantages of wide operating voltage range, clear working instructions, small volume, uniform size, easy installation, etc.

本系列时间继电器具有工作电压范围广,工作指示清晰,体积小,尺寸统一,便于安装等优点。

Application 应用领域:
 Industrial machinery 工业机械
 Illumination 照明
 Manufacturing 制造业
 HVAC system 暖通空调系统
 Food and agriculture 食品和农业

EKR8-5 Series



Technical Data 技术数据	EKR8-5260	EKR8-5261
Output Characteristics 输出特性	Multi-period DPDT output 多时段两组输出	
Rated Current 额定电流	5A/16A	
Working Voltage 工作电压	Single Voltage 单电压: AC12V, AC24V, AC110V, AC220V, DC12V, DC24V Wide Voltage 宽电压: AC/DC12-240V	
Time Range 时间范围	0.1S~10D (0.1秒~10天)	
Functions 功能		
Dimensions 外形尺寸图: in 英寸 (mm 毫米)		

触发时间继电器

Trigger Time Relay

触发时间继电器

Time relay is an automatic control unit, that can be combined with various other electrical equipment to achieve automatic control of the operating circuit. After a preset time expires, the contact output will be closed or opened, which will enable the terminal electrical equipment to automatically run or stop.

时间继电器是一种自动化控制单元,可以结合其他各种电器设备,实现自动控制运行线路,在一个预设定的时间结束后,闭合或者断开触点输出,使终端电器实现自动运行或者停止。

This series of time relay has the advantages of wide operating voltage range, clear working instructions, small volume, uniform size, easy installation, etc.

本系列时间继电器具有工作电压范围广,工作指示清晰,体积小,尺寸统一,便于安装等优点。

Application 应用领域:
 Industrial machinery 工业机械
 Illumination 照明
 Manufacturing 制造业
 HVAC system 暖通空调系统
 Food and agriculture 食品和农业

EKR8-5 Series



Technical Data 技术数据

EKR8-5170

EKR8-5171

Output Characteristics 输出特性

Single-period SPDT Output 单时段一组输出

Rated Current 额定电流

5A/16A

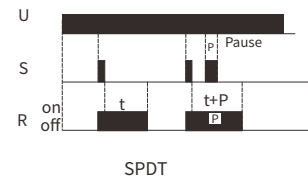
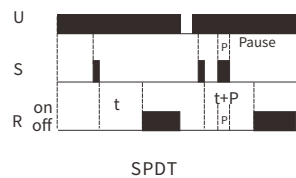
Working Voltage 工作电压

Single Voltage 单电压: AC12V, AC24V, AC110V, AC220V, DC12V, DC24V
 Wide Voltage 宽电压: AC/DC12-240V

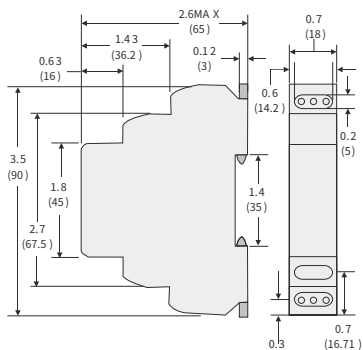
Time Range 时间范围

1S, 3S, 6S, 10S, 30S, 60S, 3M, 6M, 10M, 30M, 60M, 3H, 6H, 10H, 30H
 Customized according to clients' requirements 可根据客户要求定制

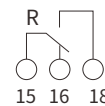
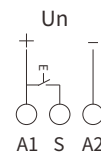
Functions 功能



Dimensions 外形尺寸图: in 英寸 (mm 毫米)



Wiring Diagrams 接线图



EKR8-5170
 EKR8-5171

触发时间继电器

Trigger Time Relay

触发时间继电器

Time relay is an automatic control unit, that can be combined with various other electrical equipment to achieve automatic control of the operating circuit. After a preset time expires, the contact output will be closed or opened, which will enable the terminal electrical equipment to automatically run or stop.

时间继电器是一种自动化控制单元,可以结合其他各种电器设备,实现自动控制运行线路,在一个预设定的时间结束后,闭合或者断开触点输出,使终端电器实现自动运行或者停止。

This series of time relay has the advantages of wide operating voltage range, clear working instructions, small volume, uniform size, easy installation, etc.

本系列时间继电器具有工作电压范围广,工作指示清晰,体积小,尺寸统一,便于安装等优点。

Application 应用领域:
 Industrial machinery 工业机械
 Illumination 照明
 Manufacturing 制造业
 HVAC system 暖通空调系统
 Food and agriculture 食品和农业

EKR8-5 Series



Technical Data 技术数据

EKR8-5180

EKR8-5181

Output Characteristics 输出特性

Single-period DPDT Output 单时段两组输出

Rated Current 额定电流

5A/16A

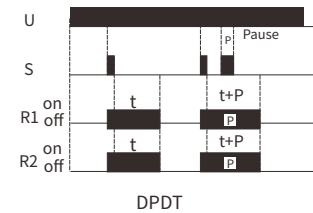
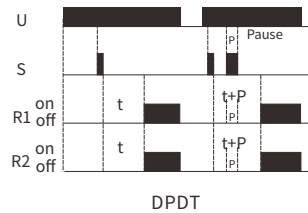
Working Voltage 工作电压

Single Voltage 单电压: AC12V, AC24V, AC110V, AC220V, DC12V, DC24V
 Wide Voltage 宽电压: AC/DC12-240V

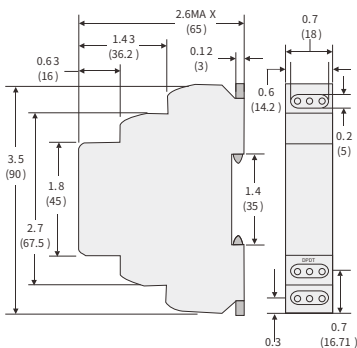
Time Range 时间范围

1S, 3S, 6S, 10S, 30S, 60S, 3M, 6M, 10M, 30M, 60M, 3H, 6H, 10H, 30H
 Customized according to clients' requirements 可根据客户要求定制

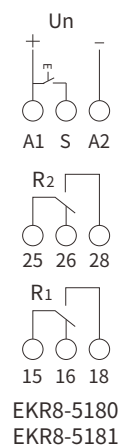
Functions 功能



Dimensions 外形尺寸图: in 英寸 (mm 毫米)



Wiring Diagrams 接线图



触发时间继电器

Trigger Time Relay

触发时间继电器

Time relay is an automatic control unit, that can be combined with various other electrical equipment to achieve automatic control of the operating circuit. After a preset time expires, the contact output will be closed or opened, which will enable the terminal electrical equipment to automatically run or stop.

时间继电器是一种自动化控制单元,可以结合其他各种电器设备,实现自动控制运行线路,在一个预设定的时间结束后,闭合或者断开触点输出,使终端电器实现自动运行或者停止。

This series of time relay has the advantages of wide operating voltage range, clear working instructions, small volume, uniform size, easy installation, etc.

本系列时间继电器具有工作电压范围广,工作指示清晰,体积小,尺寸统一,便于安装等优点。

Application 应用领域:
 Industrial machinery 工业机械
 Illumination 照明
 Manufacturing 制造业
 HVAC system 暖通空调系统
 Food and agriculture 食品和农业

EKR8-5 Series



Technical Data 技术数据

EKR8-5270

EKR8-5271

Output Characteristics 输出特性

Multi-period SPDT Output 多时段一组输出

Rated Current 额定电流

5A/16A

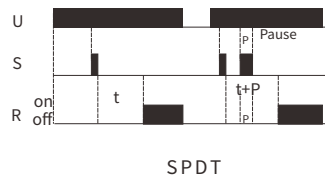
Working Voltage 工作电压

Single Voltage 单电压: AC12V, AC24V, AC110V, AC220V, DC12V, DC24V
 Wide Voltage 宽电压: AC/DC12-240V

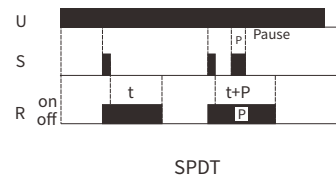
Time Range 时间范围

0.1S~10D (0.1秒~10天)

Functions 功能

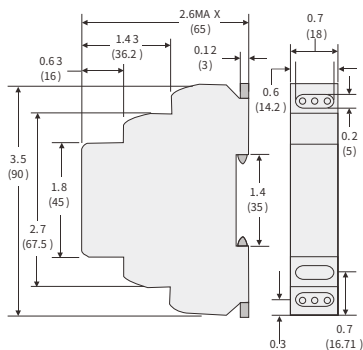


SPDT

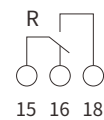
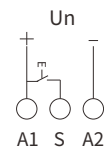


SPDT

Dimensions 外形尺寸图: in 英寸 (mm 毫米)



Wiring Diagrams 接线图



EKR8-5270
 EKR8-5271

触发时间继电器

Trigger Time Relay

触发时间继电器

Time relay is an automatic control unit, that can be combined with various other electrical equipment to achieve automatic control of the operating circuit. After a preset time expires, the contact output will be closed or opened, which will enable the terminal electrical equipment to automatically run or stop.

时间继电器是一种自动化控制单元,可以结合其他各种电器设备,实现自动控制运行线路,在一个预设定的时间结束后,闭合或者断开触点输出,使终端电器实现自动运行或者停止。

This series of time relay has the advantages of wide operating voltage range, clear working instructions, small volume, uniform size, easy installation, etc.

本系列时间继电器具有工作电压范围广,工作指示清晰,体积小,尺寸统一,便于安装等优点。

Application 应用领域:
 Industrial machinery 工业机械
 Illumination 照明
 Manufacturing 制造业
 HVAC system 暖通空调系统
 Food and agriculture 食品和农业

EKR8-5 Series



Technical Data 技术数据

EKR8-5280

EKR8-5281

Output Characteristics 输出特性

Multi-period DPDT output 多时段两组输出

Rated Current 额定电流

5A/16A

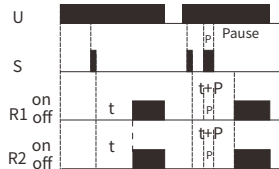
Working Voltage 工作电压

Single Voltage 单电压: AC12V, AC24V, AC110V, AC220V, DC12V, DC24V
 Wide Voltage 宽电压: AC/DC12-240V

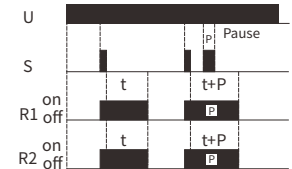
Time Range 时间范围

0.1S~10D (0.1秒~10天)

Functions 功能

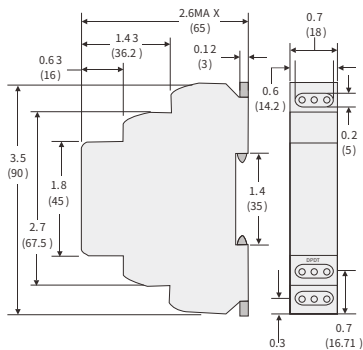


DPDT

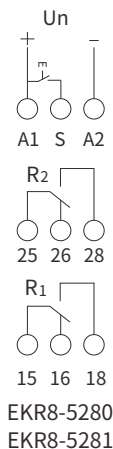


DPDT

Dimensions 外形尺寸图:in 英寸 (mm 毫米)



Wiring Diagrams 接线图



触发时间继电器

Trigger Time Relay

触发时间继电器

Time relay is an automatic control unit, that can be combined with various other electrical equipment to achieve automatic control of the operating circuit. After a preset time expires, the contact output will be closed or opened, which will enable the terminal electrical equipment to automatically run or stop.

时间继电器是一种自动化控制单元,可以结合其他各种电器设备,实现自动控制运行线路,在一个预设定的时间结束后,闭合或者断开触点输出,使终端电器实现自动运行或者停止。

This series of time relay has the advantages of wide operating voltage range, clear working instructions, small volume, uniform size, easy installation, etc.

本系列时间继电器具有工作电压范围广,工作指示清晰,体积小,尺寸统一,便于安装等优点。

Application 应用领域:
 Industrial machinery 工业机械
 Illumination 照明
 Manufacturing 制造业
 HVAC system 暖通空调系统
 Food and agriculture 食品和农业

EKR8-5 Series



Technical Data 技术数据

EKR8-5290

Output Characteristics 输出特性

Multi-period SPDT Output 多时段一组输出

Rated Current 额定电流

5A/16A

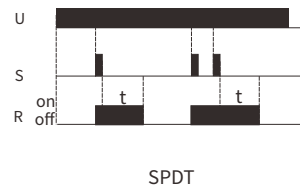
Working Voltage 工作电压

Single Voltage 单电压: AC12V, AC24V, AC110V, AC220V, DC12V, DC24V
 Wide Voltage 宽电压: AC/DC12-240V

Time Range 时间范围

0.1S~1D (0.1秒~1天)

Functions 功能



Dimensions 外形尺寸图: in 英寸 (mm 毫米)

Wiring Diagrams 接线图

